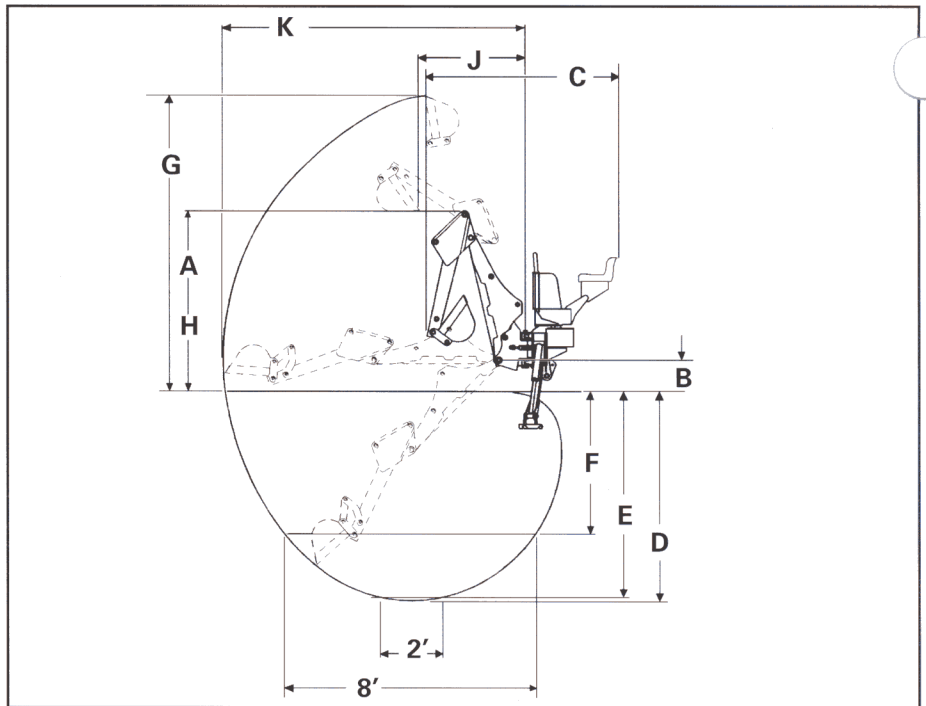


3265 Backhoe

FEATURES & BENEFITS

OVER 35 YEARS of PRODUCTIVITY, RELIABILITY and DURABILITY.

- Swing cylinder with dual swing chain system.
- Swing speed control is standard. Allows the operator to adjust swing speed.
- Circuit relief valve protected while allowing smooth operation. SAE float detent in boom circuit.
- Inline pressure filter and reverse flow check valve insures longer valve life and less maintenance.
- Replaceable bushings in all major pivot points decreases maintenance cost.
- Large diameter cylinders create more force with less pressure for longer life and increased production.
- High-capacity buckets provide more volume per bucketful.
- Large operator area allows easy entry and comfortable operation.
- Optional PTO hydraulic pump kit.
- BRADCO Backhoes are covered by a two year limited warranty.



SPECIFICATION

TRANSPORT

A. Transport Height (with boom fully retracted).....	5'9"
Transport Width (stabilizers up / pads turned out).....	3'9"
Transport Width (stabilizers up / pads turned in).....	3'6"
B. Boom Pivot Height.....	12"
C. Overall Length.....	6'11"
Operating Weight w/12" Bucket.....	740#

OPERATIONAL

D. Digging Depth Maximum.....	6'7"
E. Digging Depth (2 Ft.) Flat Bottom.....	6'6"
F. Digging Depth (8 Ft.) Flat Bottom.....	4'6"
G. Overall Operating Height - Fully Raised.....	9'5"
H. Loading Height.....	5'9"
J. Loading Reach.....	3'4"
K. Reach From Swing Post.....	9'7"
Stabilizer Spread Operating Position.....	8'10"
Stabilizer Down Below Grade.....	10"
System Relief Valve Setting.....	2100 PSI
Digging Force - Bucket Cylinder.....	2000#
Digging Force - Dipper Cylinder.....	1200#
Bucket Rotation.....	180°
Swing Arc.....	180°

***All Specifications with Boom Pivot 12" Above Ground.**

BUCKETS AND CAPACITIES

Bucket Size	Heaped Cap. Ft. ³	Weight Lbs.	Number Of Teeth
8"	.61	52	2
10"	.85	57	3
12"	1.09	62	3
16"	1.54	75	4
18"	2.78	80	4

Specifications and design are subject to change without notice and without liability therefore. Whenever applicable specifications are in accordance with SAE standards.

Get Attached®



BRADCO®

Attachment Technologies, Inc.
BRADCO®/McMILLEN™
P.O. Box 266 · Delhi, Iowa 52223 USA
563 922 2981 · 800 922 2981
Fax 563 922 2700 · www.get-attached.com